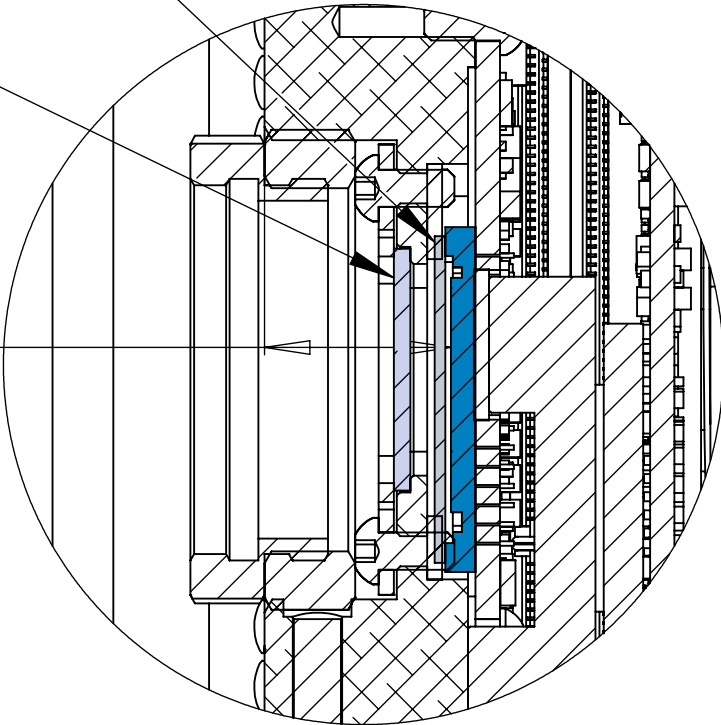
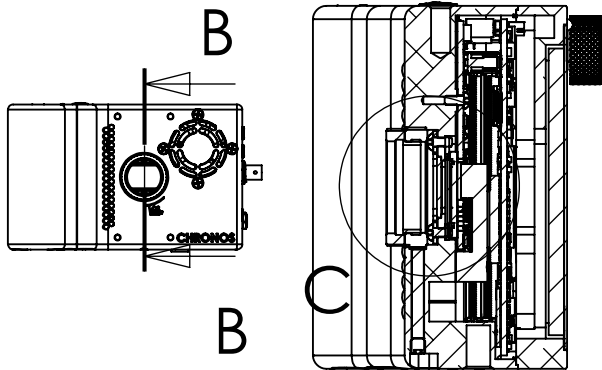


DETAIL C SCALE 2 : 1

Sensor package cover glass 0.7mm
IR Filter glass 1.1mm

Physical flange focal distance
Optical flange focal distance (without IR filter)
Optical flange focal distance (with IR filter)

12.330
12.09
11.714



SECTION B-B SCALE 1 : 2

Glass reduces the effective flange focal distance due to refraction
0.7mm package cover glass subtracts 0.24mm
1.1mm IR filter glass subtracts 0.376mm

PROPRIETARY AND CONFIDENTIAL
THE INFORMATION CONTAINED IN THIS DRAWING IS THE SOLE PROPERTY OF <INSERT COMPANY NAME HERE>. ANY REPRODUCTION IN PART OR AS A WHOLE WITHOUT THE WRITTEN PERMISSION OF <INSERT COMPANY NAME HERE> IS PROHIBITED.

		UNLESS OTHERWISE SPECIFIED:	NAME	DATE	TITLE: Chronos 2.1-HD Flange Focal Distance	
		DIMENSIONS ARE IN MM TOLERANCES: FRACTIONAL ± ANGULAR: MACH ± BEND ± TWO PLACE DECIMAL ± THREE PLACE DECIMAL ±	DRAWN			
		INTERPRET GEOMETRIC TOLERANCING PER:	CHECKED		SIZE DWG. NO. REV	
		MATERIAL	ENG APPR.			
NEXT ASSY	USED ON	FINISH	MFG APPR.		SCALE: 1:5 WEIGHT: SHEET 1 OF 1	
APPLICATION		DO NOT SCALE DRAWING	Q.A.			
			COMMENTS:			